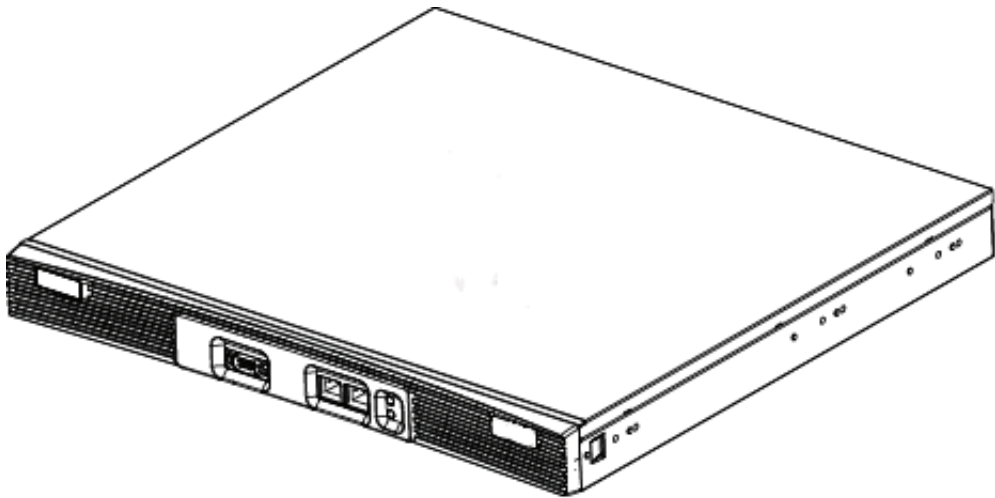


WS5100 Series Switch

Installation Guide



© 2007 Motorola, Inc. All rights reserved. **MOTOROLA** and the Stylized M Logo are registered in the US Patent & Trademark Office. Symbol is a registered trademark of Motorola, Inc. All other product or service names are the property of their respective owners.

Contents

Chapter 1. Introduction

1.1 Package Contents	1-1
1.2 Document Conventions	1-2
1.3 Warnings	1-2
1.4 Site Preparation	1-3

Chapter 2. Specifications

2.1 Physical Specifications	2-1
2.2 Power Cord Specifications	2-1
2.2.1 Power Protection	2-2
2.3 Cable Requirements	2-2
2.4 LED Codes	2-2
2.4.1 Start Up	2-2
2.4.2 Primary	2-3
2.4.3 Standby	2-3
2.4.4 Error Codes	2-3

Chapter 3. Hardware Setup

3.1 Installing the WS5100	3-1
3.2 Adding the WS5100 to the Network	3-2
3.3 Supplying Power to the WS5100	3-2
3.4 Verifying the Installation	3-3

Chapter 4. Configuration

4.1 Logging Into the CLI	4-1
4.2 Configuring the WS5100 IP Address	4-2
4.2.1 DHCP Configuration	4-2
4.2.2 Setting Static IP Information	4-2
4.3 Preliminary Switch Configuration	4-3
4.3.1 Web UI Requirements	4-3
4.3.2 Launching the WS5100 Series Switch Web UI	4-3
4.4 Verifying the Configuration	4-11

Chapter 5. Shutting Down the WS5100

5.1 Shutting Down From the Switch Web UI	5-1
5.2 Shutting Down From the CLI	5-2

Chapter 6. Regulatory Information

Chapter 7. Part Numbers and Support

Chapter 8. End-User License Agreement

Introduction

The WS5100 Series Switch is the high-performance member of Motorola's Wireless Switch family. The WS5100 Series Switch provides centralized *Wireless LAN* (WLAN) configuration and management by coalescing network "intelligence" previously spread across physically distributed access points. By replacing access points with simpler access ports (or "thin" access points), the WS5100 becomes a WLAN's single point of contact, thus reducing wireless networking complexity by moving management out of the ceiling and into the wiring closet. In addition, through the use of Motorola's patented Virtual AP architecture, the WS5100 lets you create multiple WLANs without changing or adding to the existing wired network infrastructure.

This Installation Guide is written for the network device installer.

1.1 Package Contents

Inspect the package contents and report any missing or damaged items to your sales representative. The package should contain the following:

- WS5100 Wireless Switch
- **Installation Guide** (this document)
- Rack-mounting brackets (2)
- Mounting screws (4)
- Console cable

1.2 Document Conventions

The following graphical alerts are used in this document to indicate notable situations:



NOTE: Tips, hints, or special requirements that you should take note of.



CAUTION: Care is required. Disregarding a caution can result in data loss or equipment malfunction.



WARNING! Indicates a condition or procedure that could result in personal injury or equipment damage.

1.3 Warnings

- Read all installation instructions and site survey reports. Verify correct equipment installation before connecting the system to its power source.
- Remove jewelry and watches before installing this equipment.
- Install the equipment in a rack with adequate dimensions and weight allowances.
- Verify the rack is anchored and cannot tip over or break away from its mountings.
- Verify the unit is grounded before connecting it to the power source.
- Verify any device connected to this unit is properly wired and grounded.
- Connect all power cords to a properly wired and grounded electrical circuit.
- Verify the electrical circuits have appropriate overload protection.
- Attach only approved power cords to the device.
- Motorola strongly recommends the use of an *Uninterruptible Power Supply* (UPS) that supports the WS5100 power rating. Not using a UPS can result in data loss or equipment damage due to a power surge or power failure.

- Verify the power connector and socket are accessible at all times during the operation of the equipment.
- Do not work with power circuits in dimly lit spaces.
- Do not install this equipment or work with its power circuits during thunderstorms or other weather conditions that could cause a power surge.
- Verify there is adequate ventilation around the device, and ambient temperatures meet equipment operation specifications.

1.4 Site Preparation

- Consult your site survey and network analysis reports to determine specific equipment placement, port capacity, power drops etc.
- Assign installation responsibility to the appropriate personnel.
- Identify where all installed components are located.
- Verify appropriate rack mounting requirements.
- Provide a sufficient number of power drops for your equipment.
- Ensure adequate, dust-free ventilation to all installed equipment.
- Identify and prepare Ethernet and console port connections.
- Verify cable lengths are within the maximum allowable distances for optimal signal transmission.
- Verify the WS5100 is powered through a UPS.

Specifications

2.1 Physical Specifications

Width	48.1 cm / 18.93 in. (with mounting brackets) 42.9 cm / 16.89 in. (without mounting brackets)
Height	4.39 cm / 1.73 in.
Depth	40.46 cm / 15.93 in.
Weight	6.25 kg / 13.75 lbs.
Max Power Consumption	100 VAC, 50/60 Hz, 3A 240 VAC, 50/60 Hz, 1.5A
Operating Temperature	10°C - 35°C / 50°F - 95°F
Operating Humidity	5% - 85% without condensation

2.2 Power Cord Specifications

A power cord is not supplied with the device. Use only a correctly rated power cord certified (as appropriate) for the country of operation.

2.2.1 Power Protection

- **If possible, use a circuit dedicated to data processing equipment.** Commercial electrical contractors are familiar with wiring for data processing equipment and can help with the load balancing of these circuits.
- **Install surge protection.** Be sure to use a surge protection device between the electricity source and the switch.
- **Install an Uninterruptible Power Supply (UPS).** A UPS provides continuous power during a power outage. Some UPS devices have integral surge protection. UPS equipment requires periodic maintenance to ensure reliability. A UPS of the proper capacity for the data processing equipment must be purchased.

2.3 Cable Requirements

To connect the WS5100 to the LAN and the WLAN, you need two Category 6 Ethernet cables (not supplied), one for each of the two Ethernet ports on the front of the switch.

To connect the WS5100 to a computer running a serial terminal emulator program (the “configuration computer”), you need the console cable supplied with the switch.

2.4 LED Codes

The WS5100 has two vertically-stacked LEDs on its front panel. The LEDs display three colors (blue, amber, and red), and three lit states (solid, blinking, and off). The following tables decode the combinations of LED colors and states.

2.4.1 Start Up

<i>Event</i>	<i>Top LED</i>	<i>Bottom LED</i>
Power Off	Off	Off
Power On Self Test (POST) running	All colors in rotation	All colors in rotation
POST succeeded	Blue solid	Blue solid

2.4.2 Primary

Event	Top LED	Bottom LED
Active (<i>Continually Adopting Access Ports</i>)	Blue blinking	Blue solid
No License to Adopt	Amber blinking	Amber blinking

2.4.3 Standby

Event	Top LED	Bottom LED
Active (<i>Failed Over and Adopting Ports</i>)	Blue blinking	Blue blinking
Active (<i>Not Failed Over</i>)	Blue blinking	Amber solid

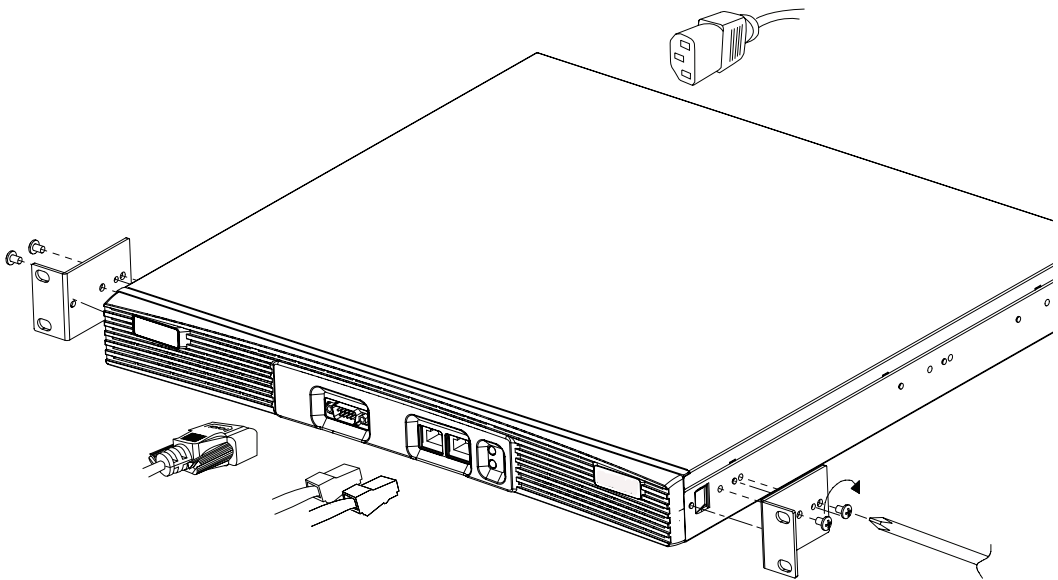
2.4.4 Error Codes

Event	Top LED	Bottom LED
POST failed (critical error)	Red blinking	Red blinking
Software initialization failed	Amber solid	Off
Country code not configured. Note: <i>During the first setup, the LEDs will remain in this state until the country code is configured.</i>	Amber solid	Amber blinking
No access ports have been adopted	Blue blinking	Amber blinking

3

Hardware Setup

3.1 Installing the WS5100



To install the WS5100 switch in a rack:

1. Attach the rack brackets to the sides of the device. The rack brackets are ambidextrous.
2. Attach the brackets to the rack.

3.2 Adding the WS5100 to the Network

The WS5100 fits in the distribution layer of the existing wired network, and must have OSI Layer 2 or Layer 3 connectivity with the access ports it needs to adopt.

To add the WS5100 to the network and prepare it for initial configuration:

1. Using a Category 6 Ethernet cable, connect a LAN switch to the **Eth1** Ethernet port (the left port) on the front panel of the WS5100.
2. Deploy the required access port(s) to the WLAN.
3. Using a Category 6 Ethernet cable, connect another LAN switch to the **Eth2** Ethernet port (the right port) on the front panel of the WS5100.
4. Using the supplied console cable, connect the WS5100 serial port to an RS-232 (DB-9) serial port on a separate computer (the “configuration computer”).
5. On the configuration computer, configure a terminal emulation application (such as **HyperTerminal**) as follows:

Terminal Type	VT-100
Port	COM 1-4 (depending on which COM port you are using.)
Terminal Settings	<ul style="list-style-type: none"> • 19200 bps transfer rate • 8 data bits • no parity • 1 stop bit • no flow control • no hardware compression

The WS5100 does not need to be fully deployed into the wired or wireless network to complete the installation steps outlined in [“Configuration” on page 4-1](#).

3.3 Supplying Power to the WS5100

1. Verify the WS5100 power is switched off before connecting the AC power cord.
2. Plug an approved AC power cord into the power connector at the back of the WS5100.

3. Plug the cord into a standard AC outlet with a voltage range of 100 to 240 VAC.
4. Toggle the power switch (at the back of the WS5100) to the On position.



WARNING! An improper shutdown can render the WS5100 inoperable such that it could require service by Motorola Support. Do not remove AC power or turn off the WS5100 (by toggling the on/off switch on the back of the device) without first following the shutdown procedure described in “Shutting Down the WS5100” on page 5-1. An abrupt loss of power can corrupt the information stored on the device.

3.4 Verifying the Installation

View the LEDs on the front panel of the WS5100 to ensure the device is functioning properly. The normal LED pattern follows this path:

- During the *Power On Self Test* (POST), the two LEDs cycle through all three colors (blue, amber, red).
- If the POST test fails, both LEDs eventually blink red. If the POST test succeeds, the LEDs will be (momentarily) lit solid blue.
- As the software is initialized, the top LED is solid blue, but the bottom LED is unlit.
- After the software has finished initializing, the top LED is blinking amber and the bottom LED is solid amber. The WS5100 is ready to be configured, as described in the next chapter.

Other LED codes indicate the presence (or absence) of access ports, different standby states, and so on. A guide to the WS5100 LEDs codes is provided in [“LED Codes” on page 2-2](#).

4

Configuration

Before proceeding with the instructions, connect a configuration (host) computer to the WS5100, as described in *“Adding the WS5100 to the Network” on page 3-2*. Keep in mind, the switch does not have to be deployed into the network to perform this initial configuration.

4.1 Logging Into the CLI

After you have connected to the WS5100 through the serial port and powered on the switch, the terminal emulation window displays a series of diagnostic messages (which you can ignore), after which it displays the WS5100 Series user name prompt. Use the name CLI to continue:

```
user name: cli
```



NOTE: If the user name prompt isn't displayed, press **Enter** until it appears.

Next, you are taken to the CLI login. Log in as **admin** with the password **superuser**:



NOTE: When using the WS5100 CLI, be aware of the inactivity timeout in order to avoid being logged out of your CLI session if the interval is exceeded.

4.2 Configuring the WS5100 IP Address

Before you can set the switch's preliminary configuration using the Web UI, the IP address assigned to the switch must be known. By default the switch uses virtual LAN 1, which is mapped to Ethernet port 2 for the switch default wired LAN management port.

4.2.1 DHCP Configuration

The default setting is to use a DHCP served IP address to access the WS5100 through Ethernet Port 2. No Changes to the configuration are required for this setting.

Use the "show ip interface brief" command to display the IP address assigned to the switch by the DHCP server.

4.2.2 Setting Static IP Information

Setting a fixed IP address for the VLAN 1 interface on the switch will automatically disable DHCP.

To set the IP address for the switch:

```
ws5100>enable
ws5100#configure terminal
Enter configuration commands, one per line. End with CNTL/Z
ws5100 (config)#interface vlan 1
ws5100 (config-if)#ip address w.x.y.z/24
ws5100 (config-if)#exit
ws5100 (config)#ip default-gateway w.x.y.n
ws5100 (config)#ip name-server x.x.x.x
```

To verify the settings and connection:

```
ws5100 (config)#exit
ws5100#ping w.x.y.z
```

To save the settings to be available on the next reboot of the switch:

```
ws5100#write memory
[OK]
```

At this point, the initial configuration of the WS5100 is complete. Continue the configuration through the switch's Web UI, as described in the next section.

4.3 Preliminary Switch Configuration

To complete a preliminary configuration of the WS5100, several different screens within the Web UI will be referenced. The goal of the initial configuration, is to define settings for the switch to associate to an MU with a minimal level of data protection. For advanced switch configuration, refer to the *WS5100 Series System Reference Guide*, available on the Motorola Web site.

Using the instructions below, define a WLAN policy and a security policy. Then, apply these policies to the switch. After you have created and applied the policies, you should be able to associate and communicate with a properly configured mobile unit. When ready to verify the preliminary configuration described in this section, refer to *“Verifying the Configuration” on page 4-11*.

4.3.1 Web UI Requirements

The WS5100 Series Web UI is accessed using Internet Explorer version 5.5 and SUN JRE (Java Runtime Environment) 1.5. (Later versions of IE and the SUN JRE are also supported.) Refer to the Sun Microsystems Web site for information on downloading JRE.

To prepare Internet Explorer to run the **WS5100 Series** Web UI:

1. Open IE’s **Tools > Internet Options** panel and select the **Advanced** tab.
2. Uncheck the following checkboxes:
 - Use HTTP 1.1
 - Java console enabled (requires restart)
 - Java logging enabled
 - JIT compiler for virtual enabled (requires restart)

4.3.2 Launching the WS5100 Series Switch Web UI

To display the WS5100 Series Switch Web UI, launch a Web browser on a computer with the capability of accessing the WS5100.



NOTE: HTTP access is required to use the WS5100 Web UI.

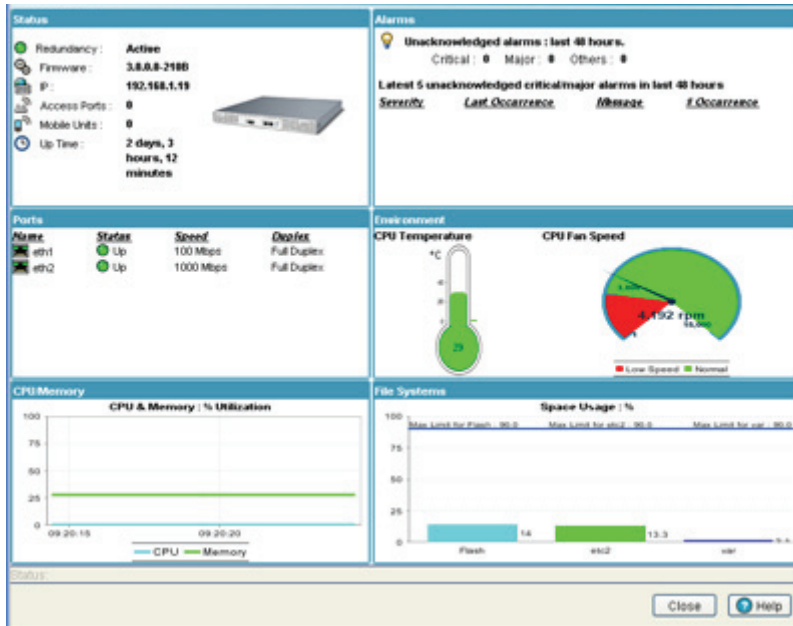
1. Point the browser to the IP address assigned to the wired Ethernet port (port 2). Specify a secure connection using the **https://** protocol.

The WS5100 login screen displays:



2. Enter the User ID **admin**, and Password **superuser**. Both are case-sensitive.

The **Switch** screen displays. Click the **Show Dashboard** button to display an overall indicator of switch health. Once the switch is fully configured, the dashboard is the central display for the user to view the version of firmware running on the switch, quickly assess the last 5 alarms generated by the switch, view the status of the switch's Ethernet connections and view switch CPU and memory utilization statistics.



3. Close the WS5100 Series Switch Dashboard.

The WS5100 **Switch** screen displays with the **Configuration** tab selected.

The screenshot shows the configuration interface for a WS5100 Wireless Switch. The left sidebar contains navigation options: Switch (Ports, Configurations, Firmware, Automatic Update, Alarm Log, Licenses), Network, Services, Security, Management Access, and Diagnostics. The main area is titled 'Switch' and has tabs for 'Configuration' and 'Switch Statistics'. The 'System' configuration form includes the following fields and values:

System Name	WS5100
Location	2nd floor south
Contact	Claude Monet
Uptime	21 hours, 47 minutes and 39 seconds
Firmware	3.0.2.0-003B
AP Licenses	0
Date (MM/DD/YYYY)	05/22/2007
Time (HH:MM:SS)	13:55:05
Time Zone	Etc/UTC
Country	United States-us

Buttons for 'Restart' and 'Shutdown' are located below the form. At the bottom of the page are buttons for 'Show Dashboard', 'Reset Password', 'Apply', 'Revert', and 'Help'. A 'Login Details' section on the left shows 'Connect To: 172.20.25.114' and 'User: admin'. A 'Message' section is also present.

4. Enter a **System Name** for this switch. The System Name is helpful in differentiating multiple switches with similar configurations.
5. Use the **Country** drop-down menu to assign the switch a country of operation.

Selecting the country is central to legally operating a WS5100. Each country has its own regulatory restrictions concerning electromagnetic emissions and the maximum RF signal strength that can be transmitted. To ensure compliance with national and local laws, be sure to set the country accurately.



CAUTION: The switch cannot adopt access ports until the country code is set. Failure to set the proper country could violate regulatory laws.

6. Optionally specify the switch location and the administrator's email address as a point of contact in case an individual needs to be notified regarding events impacting switch performance.

You are now ready to define a WLAN and configure it with the minimum security required to securely test an MU association.

7. From the main menu, select **Network > Wireless LANs**.

The screenshot shows the configuration page for Wireless LANs on a WS100 Wireless Switch. The page title is "Network > Wireless LANs" and it has tabs for "Configuration", "Statistics", "VLAN/Tunnel Assignment", and "WMM". A "Show Filtering Options" link is visible above the table. The table lists 32 WLANs, each with an index, an "Enabled" checkbox (all are disabled), an ESSID, a Name, a WLAN/Tunnel type, Authentication, and Encryption settings. All authentication and encryption settings are currently set to "None". At the bottom of the table area, it says "Filtering is disabled". Below the table are buttons for "Edit", "Enable", and "Disable". At the very bottom of the interface are "Save", "Logout", and "Refresh" buttons, along with "Global Settings" and "Help" buttons.

Index	Enabled	ESSID	Name	VLAN / Tunnel	Authentication	Encryption
1	<input checked="" type="checkbox"/>	101	WLAN1	VLAN 1	None	None
2	<input checked="" type="checkbox"/>	102	WLAN2	VLAN 2	None	None
3	<input checked="" type="checkbox"/>	103	WLAN3	VLAN 3	None	None
4	<input checked="" type="checkbox"/>	104	WLAN4	VLAN 4	None	None
5	<input checked="" type="checkbox"/>	105	WLAN5	VLAN 5	None	None
6	<input checked="" type="checkbox"/>	106	WLAN6	VLAN 6	None	None
7	<input checked="" type="checkbox"/>	107	WLAN7	VLAN 7	None	None
8	<input checked="" type="checkbox"/>	108	WLAN8	VLAN 8	None	None
9	<input checked="" type="checkbox"/>	109	WLAN9	VLAN 9	None	None
10	<input checked="" type="checkbox"/>	110	WLAN10	VLAN 10	None	None
11	<input checked="" type="checkbox"/>	111	WLAN11	VLAN 11	None	None
12	<input checked="" type="checkbox"/>	112	WLAN12	VLAN 12	None	None
13	<input checked="" type="checkbox"/>	113	WLAN13	VLAN 13	None	None
14	<input checked="" type="checkbox"/>	114	WLAN14	VLAN 14	None	None
15	<input checked="" type="checkbox"/>	115	WLAN15	VLAN 15	None	None
16	<input checked="" type="checkbox"/>	116	WLAN16	VLAN 16	None	None
17	<input checked="" type="checkbox"/>	117	WLAN17	VLAN 17	None	None
18	<input checked="" type="checkbox"/>	118	WLAN18	VLAN 18	None	None
19	<input checked="" type="checkbox"/>	119	WLAN19	VLAN 19	None	None
20	<input checked="" type="checkbox"/>	120	WLAN20	VLAN 20	None	None
21	<input checked="" type="checkbox"/>	121	WLAN21	VLAN 21	None	None
22	<input checked="" type="checkbox"/>	122	WLAN22	VLAN 22	None	None
23	<input checked="" type="checkbox"/>	123	WLAN23	VLAN 23	None	None
24	<input checked="" type="checkbox"/>	124	WLAN24	VLAN 24	None	None
25	<input checked="" type="checkbox"/>	125	WLAN25	VLAN 25	None	None
26	<input checked="" type="checkbox"/>	126	WLAN26	VLAN 26	None	None
27	<input checked="" type="checkbox"/>	127	WLAN27	VLAN 27	None	None

The **Wireless LANs** screen displays with existing WLANs appearing within the table. 32 disabled WLANs are available to select, enable and edit to better suit the needs of switch-managed network. For the purposes of the preliminary configuration described within this guide, a single WLAN will be enabled and edited to configure a secure association with a single MU.



CAUTION: The WLANs initially displaying within the Wireless LANs configuration screen have no authentication or encryption scheme assigned. To securely use one of these WLANs, it must be enabled and have a security scheme defined for it.

- Highlight a WLAN from those displayed within the table and click the **Enable** button at the bottom of the screen.

A green checkmark within the Enabled column defines the WLAN as enabled. A red "x" within the Enabled column defines the WLAN as disabled.

- Select the newly enabled WLAN and click the **Edit** button.

The **Wireless LANs Edit** screen displays.

Network > Wireless LANs > Edit WLAN27

Edit

Configuration

ESSID: VLAN ID: Dynamic Assignment

Name: Tunnel: Gateway: Mask:

Authentication

802.1X EAP

Kerberos

Hotspot

MAC Authentication

No Authentication

Encryption

WEP 64

WEP 128

KeyGuard

WPA/WPA2-TKIP

WPA2-CCMP

Advanced

Accounting Mode: MU to MU Traffic:

Answer Broadcast ESS MU Idle Time: seconds

Use Voice Prioritization Access Category:

Enable SVP MCast Addr 1:

Secure Beacon MCast Addr 2:

Status:

10. Within the **Configuration** field, set the *Extended Services Set Identification* (ESSID) used with the WLAN. The ESSID defined for this WLAN must match the ESSID defined for those MUs intending to use the WLAN for switch-managed network communication. The maximum number of characters for the ESSID is 32.

Make a note of the ESSID, you will need it later when verifying the configuration

11. Define the **Name** for the WLAN. The name should be a logical representation of the WLAN's coverage area (engineering, marketing etc.). The maximum number of characters that can be used for the name is 31.

At this point of the WLAN configuration, a WEP 128 based encryption scheme will be defined to secure the data traffic between the WS5100 and its associated MU(s).



NOTE: For the purposes of defining a security scheme for the WLAN (as described within this preliminary configuration discussion), WEP 128 will be used. However, there are many more sophisticated security schemes available to the WS5100 Series Switch. For information on configuring a more robust security scheme, refer to the *WS5100 Series Switch System Reference Guide* available from the Motorola Web site.

12. Within the Encryption field, select the **WEP 128** checkbox and click the **Config** button.

The **WEP 128/KeyGuard** screen displays with fields to define the Pass Key used to generate WEP keys. These keys must be the same between the WS5100 and its associated MU to encrypt packets between the two devices.

13. Specify a 4 to 32 character pass key and click the **Generate** button. The pass key can be any alphanumeric string. The WS5100, other proprietary routers and Motorola MUs use the algorithm to convert an ASCII string to the same hexadecimal number. MUs without Motorola adapters need to use WEP keys manually configured as hexadecimal numbers.
14. Use the **Key #1-4** areas to specify key numbers. The key can be either a hexadecimal or ASCII string. For WEP 128 (104-bit key), the keys are 26 hexadecimal characters in length or 13 ASCII characters. Select one of the keys for activation by clicking its radio button.
15. Click **OK** to save the settings within the WEP 128/KeyGuard screen.
16. Click **OK** within the **Wireless LANs Edit** screen to save the changes made within this screen.



NOTE: Ensure the ESSID and WEP 128 Key settings defined for the WS5100 have been set identically for the MU used to verify the WS5100 preliminary configuration.

17. Click the **Save** button in the lower left-hand corner of the screen to ensure all changes have been implemented.

4.4 Verifying the Configuration

The surest way to verify the WLAN's configuration is valid and the switch is operational, is to associate a MU and confirm the MU can communicate with a device on the wired LAN.

To verify the MU's association with the WS5100:

1. Deploy the WS5100 into the wired and wireless networks by connecting the Ethernet cables. *See "Adding the WS5100 to the Network" on page 3-2.*
2. Identify (by IP address or host name) a computer the WS5100 can communicate with over the wired LAN. This is the device the MU will try to communicate with later in these instructions.
3. Verify an access port has been adopted by the WS5100.
4. Ensure the target MU has the same ESSID and WEP settings defined for the WS5100.
5. Verify the MU has been associated by selecting **Network > Mobile Units** from the main menu. The **Mobile Units** screen should display the MU's MAC address and network address information. If the MU does not display within the Mobile Units screen, verify the MU's ESSID and encryption settings are properly set.
6. If more information is required for the target MU, select the MU from the Mobile Units screen (within the Status tab) and click the **Details** button. The **Details** screen displays everything the WS5100 knows about this specific MU.
7. Finally, verify the WS5100 is fully operational on both sides of the network (wired and wireless) by pinging the device on the wired LAN from the MU. If the wired device responds, the WS5100 is working. If it doesn't respond, make sure the wired device is on, is on the proper LAN, and you are pinging the correct IP address or host name.

Shutting Down the WS5100

Mechanisms exist to either shut down the WS5100 from either the switch Web UI or the CLI.



WARNING! An improper shutdown can render the WS5100 inoperable such that it may require service by Motorola Support. Do not remove AC power or turn off the WS5100 (by toggling the on/off switch on the back of the device) without first following the shutdown procedure outlined above. An abrupt loss of power can corrupt the information stored on the switch.

5.1 Shutting Down From the Switch Web UI

To shut down the switch from the Web UI:

1. Select **Switch** from the WS5100 main menu tree.
2. Select the **Configuration** tab and click the **Shutdown** button.
3. Follow the prompts displayed by the Web UI to safely shutdown the WS5100.

5.2 Shutting Down From the CLI

To shut down the WS5100 from the CLI, issue a **halt** command.

```
WS5100#halt
Wireless switch will be halted, do you want to continue?
(y/n):y
The system is going down NOW !!

% Connection is closed by administrator!
WIOS_SECURITYMGR[395]: DNSALG: Shutting down.
WIOS_SECURITYMGR[395]: FTPALG: Shutting down.
The system is halted.
```



NOTE: The WS5100 will power off after issuing a halt command through a software toggle of the power supply. Be sure to flip the power switch to the Off position. If the power cord is removed and reinstalled, or power is lost and restored, the switch will power back on.

Regulatory Information

This device is approved under the Symbol Technologies brand; Symbol Technologies, Inc., is the Enterprise Mobility business of Motorola, Inc (“Motorola”).



WARNING! This regulatory section applies only to the WS5100. For more information refer to *“Part Numbers and Support” on page 7-1*. All Motorola devices are designed to be compliant with rules and regulations of locations they are sold in and are labeled as required.

Any changes or modifications to Motorola equipment not expressly approved by Motorola are possibly unsafe and could render the equipment inoperable.

Country Selection

Select only the country in which you are using the device. Any other selection will make the operation of this device illegal.

Radio Frequency Interference Requirements - USA

This equipment has been tested and found to comply with the limits for a Class A digital device, pursuant to Part 15 of the FCC rules. These limits are designed to provide reasonable protection against harmful interference when the equipment is operated in a commercial environment.

This equipment generates, uses, and can radiate radio frequency energy and, if not installed and used in accordance with the instruction manual, may cause harmful interference to radio communications. Operation of this equipment in a residential area is likely to cause harmful interference in which case the user will be required to correct the interference at his own expense.

Radio Frequency Interference Requirements - Canada

This Class A digital apparatus complies with Canadian ICES-003.

Cet appareil numérique de la classe A est conforme à la norme NMB-003 du Canada.

Marking and European Economic Area (EEA)



CAUTION: This is a class A product. In a domestic environment this product may cause radio interference in which case the user may be required to take adequate measures.

Statement of Compliance

Motorola, Inc., hereby declares that this device is in compliance with all the applicable Directives, 89/336/EEC, 73/23/EEC. A Declaration of Conformity may be obtained from:

<http://www2.symbol.com/doc/>

Part Numbers and Support

Part Numbers

<i>Description</i>	<i>Part Number</i>
6-port WS5100 Wireless Switch	WS-5100-06-WWR
12-port WS5100 Wireless Switch	WS-5100-12-WWR
18-port WS5100 Wireless Switch	WS-5100-18-WWR
24-port WS5100 Wireless Switch	WS-5100-24-WWR
30-port WS5100 Wireless Switch	WS-5100-30-WWR
36-port WS5100 Wireless Switch	WS-5100-36-WWR
42-port WS5100 Wireless Switch	WS-5100-42-WWR
48-port WS5100 Wireless Switch	WS-5100-48-WWR
Redundant WS5100 Wireless Switch	WS-5100-RS-WWR
6-port Upgrade	WS-5100-UC-WW

Motorola's Enterprise Mobility Support Center

If you have a problem with your equipment, contact Enterprise Mobility support for your region. Contact information is available at: <http://www.symbol.com/contactsupport>.

When contacting Enterprise Mobility support, please provide the following information:

- Serial number of the unit
- Model number or product name
- Software type and version number

Motorola responds to calls by email, telephone or fax within the time limits set forth in support agreements. If you purchased your Enterprise Mobility business product from a Motorola business partner, contact that business partner for support.

Customer Support Web Sites

Motorola's Support Central Web site, located at www.symbol.com/support provides information and online assistance including developer tools, software downloads, product manuals and online repair requests.

Downloads

<http://symbol.com/downloads>

Manuals

<http://symbol.com/manuals>

General Information

Obtain additional information by contacting Motorola at:

Telephone (North America): 1-800-722-6234

Telephone (International): +1-631-738-5200

Website: <http://www.motorola.com>

End-User License Agreement

BY DOWNLOADING, INSTALLING, OR USING THE SOFTWARE DESCRIBED IN THIS DOCUMENT, YOU OR THE ENTITY OR COMPANY THAT YOU REPRESENT ("LICENSEE") ARE UNCONDITIONALLY CONSENTING TO BE BOUND BY AND ARE BECOMING A PARTY TO THIS LICENSE AGREEMENT ("AGREEMENT"). LICENSEE'S USE OR CONTINUED USE OF THE DOWNLOADED OR INSTALLED MATERIALS SHALL ALSO CONSTITUTE ASSENT TO THE TERMS OF THIS AGREEMENT. IF LICENSEE DOES NOT UNCONDITIONALLY AGREE TO ALL OF THE TERMS OF THIS AGREEMENT, DO NOT CONTINUE THE INSTALLATION PROCESS. IF THESE TERMS ARE CONSIDERED AN OFFER, ACCEPTANCE IS EXPRESSLY LIMITED TO AND EXPRESSLY CONTINGENT UPON THESE TERMS. IF YOU ARE ACCEPTING THESE TERMS ON BEHALF OF A COMPANY, ANOTHER PERSON OR ANY OTHER LEGAL ENTITY, YOU REPRESENT AND WARRANT THAT YOU HAVE THE AUTHORITY TO BIND THAT COMPANY, PERSON OR ENTITY.

1. LICENSE GRANT. Subject to the terms of this Agreement, Motorola, Inc. and/or its subsidiaries ("Licensor") hereby grants Licensee a limited, personal, non-sublicensable, non-transferable, nonexclusive license to use the software that Licensee is about to download or install and the documentation that accompanies it (collectively, the "Software") for Licensee's personal use in connection with hardware produced by Licensor and only in accordance with the accompanying documentation. Licensee may download, install and use the Software only on a single computer. Licensee may make one copy of the Software (excluding any documentation) for backup purposes, provided that copyright and other restricted rights notices of Licensor and its suppliers are reproduced exactly.
2. LICENSE RESTRICTIONS. Except as expressly permitted by this Agreement, Licensee shall not, nor permit anyone else to, directly or indirectly: (i) copy (except for one backup copy), modify, distribute or create derivative works based upon the Software;

(ii) reverse engineer, disassemble, decompile or otherwise attempt to discover the source code or structure, sequence and organization of the Software; or (iii) rent, lease, or use the Software for timesharing or service bureau purposes, or otherwise use the Software for any commercial purpose/on behalf of any third party. Licensee shall maintain and not remove or obscure any proprietary notices on the Software, and shall reproduce such notices exactly on all permitted copies of the Software. All title, ownership rights, and intellectual property rights in and to the Software, and any copies or portions thereof, shall remain in Licensor and its suppliers or licensors. Licensee understands that Licensor may modify or discontinue offering the Software at any time. The Software is protected by the copyright laws of the United States and international copyright treaties. The Software is licensed, not sold. This Agreement does not give Licensee any rights not expressly granted herein.

3. **INTELLECTUAL PROPERTY; CONTENT.** All title and intellectual property rights in and to the Software (including but not limited to any images, photographs, animations, video, audio, music, text and "applets" incorporated into the Software), and any copies you are permitted to make herein are owned by Licensor or its suppliers. All title and intellectual property rights in and to the content which may be accessed through use of the Software is the property of the respective content owner and may be protected by applicable copyright or other intellectual property laws and treaties. This EULA grants you no rights to use such content. As a condition to Licensee's use of the Software, Licensee represents, warrants and covenants that Licensee will not use the Software: (i) to infringe the intellectual property rights or proprietary rights, or rights of publicity or privacy, of any third party; (ii) to violate any applicable law, statute, ordinance or regulation; (iii) to disseminate information or materials in any form or format ("Content") that are harmful, threatening, abusive, harassing, tortuous, defamatory, vulgar, obscene, libelous, or otherwise objectionable; or (iv) to disseminate any software viruses or any other computer code, files or programs that may interrupt, destroy or limit the functionality of any computer software or hardware or telecommunications equipment. Licensee, not Licensor, remains solely responsible for all Content that Licensee uploads, posts, e-mails, transmits, or otherwise disseminates using, or in connection with, the Software.
4. **FEES; SUPPORT AND UPGRADES.** Licensor may, at Licensor's sole option, provide support services related to the Software ("Support Services"). Nothing in this Agreement grants Licensee any right to receive any Support Services. Use of any Support Services provided is governed by the Licensor policies and programs described in the user manual, in "online" documentation, and/or in other Licensor-provided materials or support agreements. Any supplemental software code provided to you as

part of any Support Services shall be considered part of the Software and subject to the terms and conditions of this EULA. With respect to technical information you provide to Licensor as part of any Support Services, Licensor may use such information for its business purposes, including for product support and development. Licensor will not utilize such technical information in a form that personally identifies Licensee.

5. **TERMINATION.** Either party may terminate this Agreement at any time, with or without cause, upon written notice. Any termination of this Agreement shall also terminate the licenses granted hereunder. Upon termination of this Agreement for any reason, Licensee shall return all copies of the Software to Licensor, or destroy and remove from all computers, hard drives, networks, and other storage media all copies of the Software, and shall so certify to Licensor that such actions have occurred. Sections 2-13 shall survive termination of this Agreement.
6. **DISCLAIMER OF WARRANTIES.** To the maximum extent permitted by applicable law, Licensor and its suppliers provide the Software and any (if any) Support Services AS IS AND WITH ALL FAULTS, and hereby disclaim all warranties and conditions, either express, implied or statutory, including, but not limited to, any (if any) implied warranties or conditions of merchantability, of fitness for a particular purpose, of lack of viruses, of accuracy or completeness of responses, of results, and of lack of negligence or lack of workmanlike effort, all with regard to the Software, and the provision of or failure to provide Support Services. ALSO, THERE IS NO WARRANTY OR CONDITION OF TITLE, QUIET ENJOYMENT, QUIET POSSESSION, CORRESPONDENCE TO DESCRIPTION, OR NON-INFRINGEMENT WITH REGARD TO THE SOFTWARE. THE ENTIRE RISK AS TO THE QUALITY OF OR ARISING OUT OF USE OR PERFORMANCE OF THE SOFTWARE AND SUPPORT SERVICES, IF ANY, REMAINS WITH LICENSEE.
7. **EXCLUSION OF INCIDENTAL, CONSEQUENTIAL AND CERTAIN OTHER DAMAGES.** TO THE MAXIMUM EXTENT PERMITTED BY APPLICABLE LAW, IN NO EVENT SHALL LICENSOR OR ITS SUPPLIERS BE LIABLE FOR ANY GENERAL, SPECIAL, INCIDENTAL, DIRECT, INDIRECT, OR CONSEQUENTIAL DAMAGES WHATSOEVER (INCLUDING, BUT NOT LIMITED TO, DAMAGES FOR LOSS OF PROFITS OR CONFIDENTIAL OR OTHER INFORMATION, FOR BUSINESS INTERRUPTION, FOR PERSONAL INJURY, FOR LOSS OF PRIVACY, FOR FAILURE TO MEET ANY DUTY INCLUDING OF GOOD FAITH OR OF REASONABLE CARE, FOR NEGLIGENCE, AND FOR ANY OTHER PECUNIARY OR OTHER LOSS WHATSOEVER) ARISING OUT OF OR IN ANY WAY RELATED TO THE USE OF OR INABILITY TO USE THE SOFTWARE, THE PROVISION OF OR FAILURE TO PROVIDE SUPPORT SERVICES, OR OTHERWISE UNDER OR IN CONNECTION WITH ANY PROVISION OF THIS AGREEMENT, EVEN IN THE EVENT OF THE FAULT, TORT

(INCLUDING NEGLIGENCE), STRICT LIABILITY, BREACH OF CONTRACT OR BREACH OF WARRANTY OF LICENSOR OR ANY SUPPLIER, AND EVEN IF LICENSOR OR ANY SUPPLIER HAS BEEN ADVISED OF THE POSSIBILITY OF SUCH DAMAGES.

8. **LIMITATION OF LIABILITY AND REMEDIES.** Notwithstanding any damages that Licensee might incur for any reason whatsoever (including, without limitation, all damages referenced above and all direct or general damages), the entire liability of Licensor and any of its suppliers under any provision of this Agreement and Licensee's exclusive remedy for all of the foregoing shall be limited to the greater of the amount actually paid by Licensee for the Software or U.S.\$5.00. The foregoing limitations, exclusions and disclaimers shall apply to the maximum extent permitted by applicable law, even if any remedy fails its essential purpose.
9. **INDEMNITY.** Licensee agrees that Licensor shall have no liability whatsoever for any use Licensee makes of the Software. Licensee shall indemnify and hold harmless Licensor from any claims, damages, liabilities, costs and fees (including reasonable attorney fees) arising from Licensee's use of the Software as well as from Licensee's failure to comply with any term of this Agreement.
10. **FAULT TOLERANCE.** The Software is not fault-tolerant and is not designed, manufactured or intended for use or resale in on-line control equipment in hazardous environments requiring fail-safe performance, such as, but not limited to, the operation of nuclear facilities, aircraft navigation or communication systems, air traffic control, life support machines, or weapons systems, in which the failure of the Software could lead directly or indirectly to death, personal injury, or physical or environmental damage ("High Risk Activities"). Licensor and its suppliers specifically disclaim any express or implied warranty of fitness for High Risk Activities.
11. **U.S. GOVERNMENT LICENSE RIGHTS.** Software provided to the U.S. Government pursuant to solicitations issued on or after December 1, 1995 is provided with the commercial license rights and restrictions described elsewhere herein. Software provided to the U.S. Government pursuant to solicitations issued prior to December 1, 1995 is provided with "Restricted Rights" as provided for in FAR, 48 CFR 52.227-14 (JUNE 1987) or DFAR, 48 CFR 252.227-7013 (OCT 1988), as applicable. The "Manufacturer" for purposes of these regulations is Motorola, Inc., One Symbol Plaza, Holtsville, NY 11742.
12. **EXPORT RESTRICTIONS.** Licensee shall comply with all export laws and restrictions and regulations of the Department of Commerce, the United States Department of Treasury Office of Foreign Assets Control ("OFAC"), or other United States or foreign agency or authority, and Licensee shall not export, or allow the export or re-export of

the Software in violation of any such restrictions, laws or regulations. By downloading or using the Software, Licensee agrees to the foregoing and represents and warrants that Licensee is not located in, under the control of, or a national or resident of any restricted country.

13. MISCELLANEOUS. Licensee may not sublicense, assign, or transfer this Agreement, or its rights or obligations hereunder, without the prior written consent of Licensor. Any attempt to otherwise sublicense, assign, or transfer any of the rights, duties, or obligations hereunder is null and void. Licensor may assign this Agreement in its sole discretion. In the event that any of the provisions of this Agreement shall be held by a court or other tribunal of competent jurisdiction to be illegal, invalid or unenforceable, such provisions shall be limited or eliminated to the minimum extent necessary so that this Agreement shall otherwise remain in full force and effect. No waiver or modification of this Agreement will be binding upon a party unless made in writing and signed by a duly authorized representative of such party and no failure or delay in enforcing any right will be deemed a waiver. This Agreement shall be governed by the laws of the State of New York without regard to the conflicts of law provisions thereof. The application the United Nations Convention of Contracts for the International Sale of Goods is expressly excluded. Unless waived by Licensor for a particular instance, any action or proceeding arising out of this Agreement must be brought exclusively in the state or federal courts of New York and Licensee hereby consents to the jurisdiction of such courts for any such action or proceeding. This Agreement supersedes all prior discussions and writings and constitutes the entire agreement between the parties with respect to the subject matter hereof. The prevailing party in any action arising out of this Agreement shall be entitled to costs and attorneys' fees.



MOTOROLA INC.
1303 E. ALGONQUIN ROAD
SCHAUMBURG, IL 60196
<http://www.motorola.com>



72E-100956-01 Revision A
June 2007